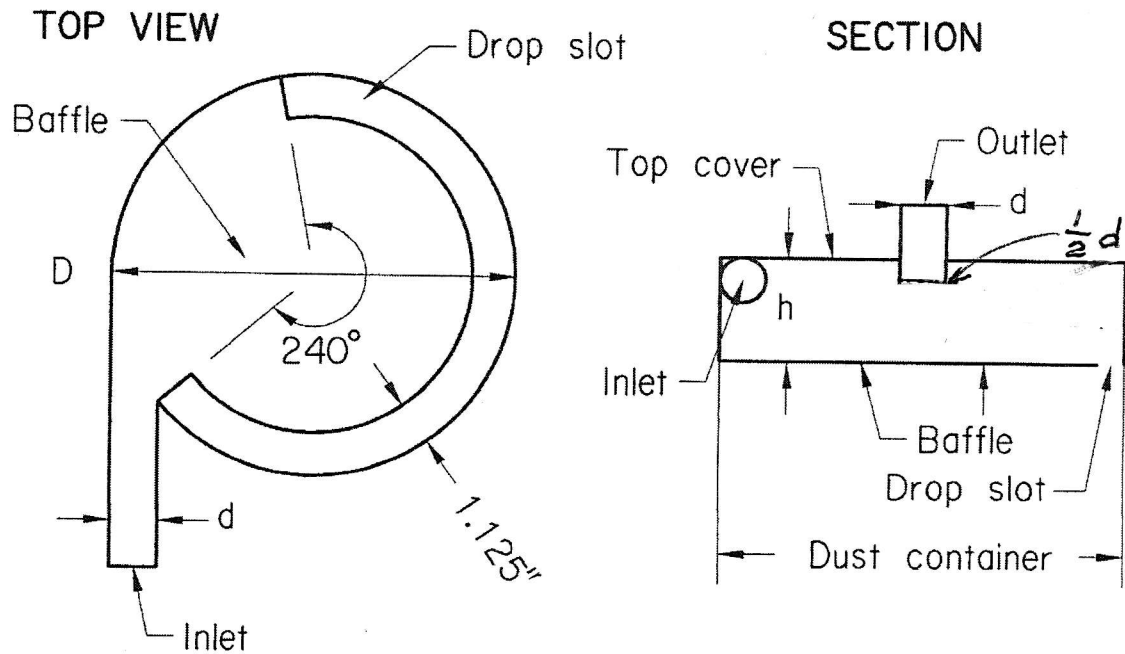


# THIEN SEPARATOR (TOP HAT)

## Design guidelines



- 1- The design may be scaled to suit.
- 2- The only fixed dimension is the slot width.
- 3- The configuration may be flipped over to place the inlet on the right-hand side. CW or CCW air rotation does not matter.
- 4-  $D$ ,  $d$  and  $h$  can be any size within reasonable limits.
- 5- The shape and size of the dust container below the baffle do not affect operation.
- 6- The baffle goes on top of the container. Use a thin material for its construction (1/8" hardboard).
- 7- The cover is a solid disc with the outlet hole in its center.
- 8- A smooth finish on the inside and airtight construction improve operation substantially.

### IMPORTANT NOTES

- i) The inlet is tangential to the separator and must be located as far as possible against the top cover.
- ii) Height  $h$  may be reduced to  $h=d$  for a compact installation. However, separation improves with  $h > d$ .
- iii) Note that the outlet must project into the separator so that it ends at  $1/2 d$  from the *top*.